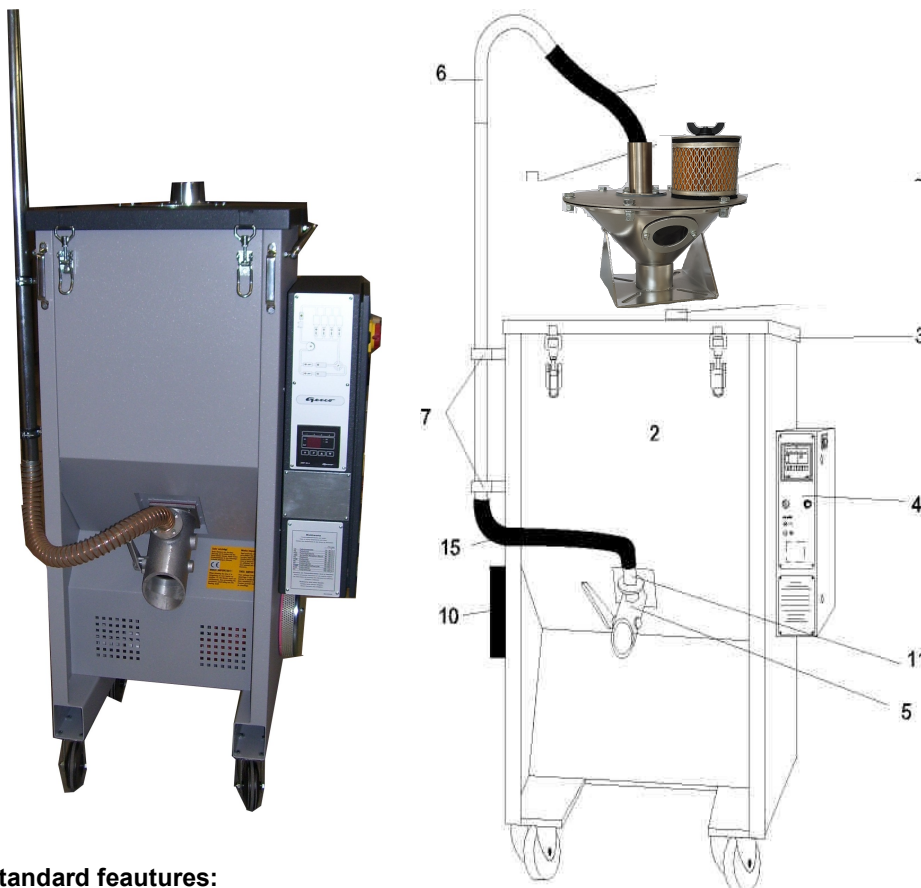


Hot air dryer TF 200 E

Application area

The TF dryer is suitable for the fully automatic drying and conveying of all plastics. The dryers work in a temperature range from 60 ° C up to 160 ° C, + - 2 ° C, it follows the principle of hot air dryers. All dryers dry up to a residual moisture of minimally 0,1%.

The TF 200 E is a mobile, compact dryer with a contents of 200 liter which conveys at the same time the material to the processing machine. It consists of the blower unit and the heatable material container. The electrical equipment, the control devices and the control are placed in a separate switch cupboard.



Standard features:

- Mobile compact device with 200 litres volume and isolated inside containers.
- Loose sieve container from stainless steel 1.4301.
- Easily accessible, replaceable air filter.
- Control in the switch cupboard at the side fastened in the device.
- Hand withdrawl equipment and suction conveyor connection.
- manual filling of the dryer by the lid



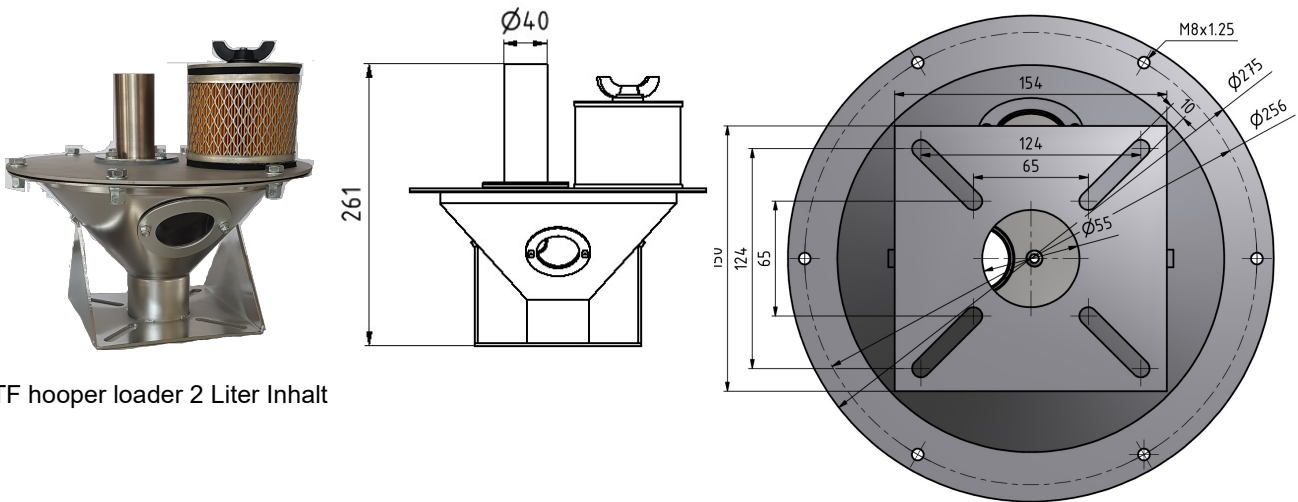
Technical Data

Mechanical Data

Dimension (H/W/D) in mm	1450x900x900
Weight in kg	222
Capacity in Liter	200
Fan flow rate in m ³ /h	290
Drying-bulb temperature in °C	60 - 160
Residual moisture in %	0,1

Electrical Data

Connection load V / Hz	3 x 400 / 50
Power consumption in kW	12,5
Current consumption in A	21,6
Granules heating in kW	11
Fan power in kW	1,5
Drying performance in kg/h	60 –100



TF hooper loader 2 Liter Inhalt

Hot air dryer

TF 200 E

Order No.

096-000100

The dryer is light grey with structural colour RAL 7004 light grey and the switch cupboard and the lid of the conveyor is varnished in RAL 7016 darkly grey.

Other color shades and operating voltage can be selected at an additional charge if required.