

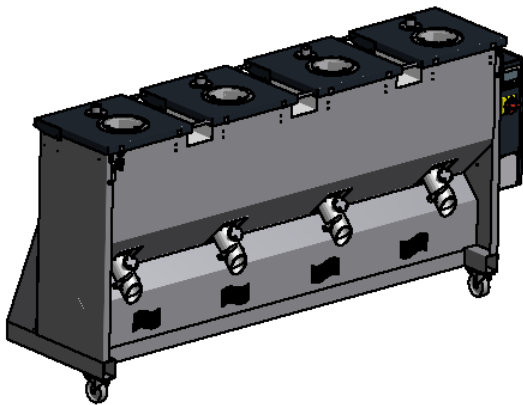
Product Information

Four – Chamber – Desiccant – Dryer TTM 4 / 100 EST

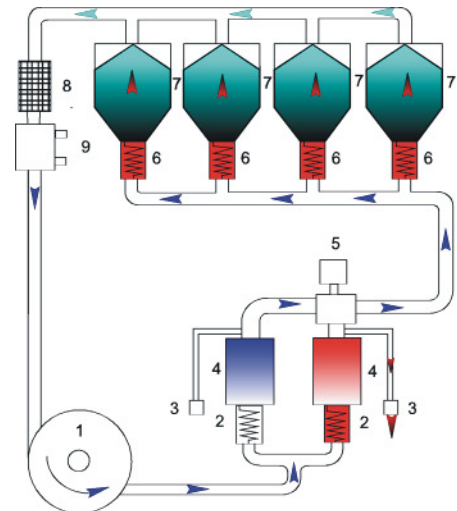
Application Area

The four-chamber desiccant dryer TTM 4/100 EST is used for fully automatic drying of all plastics if these do not give off volatile components during the drying process. The dryer operates in a temperature range of 60 °C to 160 °C, +/- 2 °C. Residual moistures of < 0.02 % can be achieved. The TTM 4/100 EST is a compact desiccant dryer. It consists of a dry air generator with 4 separately heatable material containers in a body, and the SPS control which is built in the switch box on the side. The functional diagram (see drawing below) shows the principle of the drying process of the desiccant dryer in a closed air recirculation system. Part of the air from the air recirculation system is required for regeneration of the desiccant chambers. Automatic operation of the regenerating, cooling and drying phases in the TTM 4/100 EST is achieved by the integrated time control unit.

* Please ask the producer of the material for the characteristics of the drying material.



1. Fan
2. Regeneration heating
3. Waste valve
4. Molecular sieve
5. Engine valve
6. Granulate heating
7. Material container
8. Filter
9. Back air cooler



Standard Features:

- Siemens Touchpanel 4,3" mit SPS S7-1200 CPU
- Mobile compact installation, of capacity 4 times 100 liters, and fully insulated inner containers
- Automatic control which is in the switch box on the side
- After-run fan f
- Time switch
- Individually heatable granular material containers
- Removable stainless steel sieve container
- Easily accessible and replaceable air filter
- Manual removal device and mounting for suction conveyer connection
- Two chamber dry air unit for continuous drying of granular material
- Integrated air cooled return air cooler - no water connection!
- 2 gas spring per cover and hopper



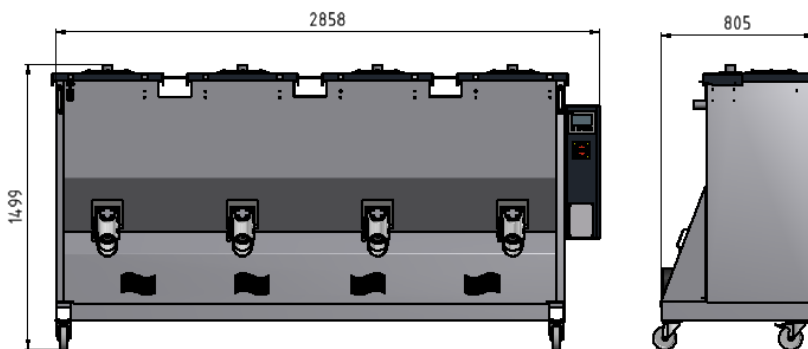
Technical Data

Mechanical Data

Dimension (H/W/D) in mm	1700 x 2901 x 930
Cover fill height mm	1470
Weight in kg	550
Capacity in liter	4 x 100
Drying temperature in °C	60 - 160
Residual moisture in %	< 0,02
Drying capacity kg / h per chamber	11 - 33

Electrical Data

Connection load V / Hz	3 x 400 / 50
Power consumption in kW	19,0
Current consumption in A	30,5
Regeneration heater in kW	3,50
Granular material heater in kW	4 x 3,50
Fan power in kW	1,5
Fan flow rate in m ³ / h	210



Four chamber desiccant dryer TTM 4 / 100 EST

The dryer is equipped with RAL 7004 light gray textured paint and the equipment cabinet and cover RAL 7016 dark gray finish.

Other color shades can be selected at an additional charge if required.

Accessories

Single suction tube ES 2

Made of galvanized steel for sucking material from the dryer to the processing machine.

Double Bolt Opening DAS 2

to connect two conveyors to the chamber

Conveyer GKS 50

Single component conveyer with 230 V fan